

VC-A50PN IP PTZ Camera with NDI

LumensTM
Brilliance by Design

The LumensTM VC-A50PN HD Pan/Tilt/Zoom (PTZ) IP camera is equipped with a professional 1/2.8 inch image sensor with Full HD 1080p output at 60 fps. It's powered by Power over Ethernet (PoE), an economical and easy integration solution. The superior 20x optical zoom lens, excellent white balance, and exposure mode delivers a clear image, even in low light or the extreme contrast of brightness and darkness in a lecture hall.

The VC-A50PN has Ethernet, HDMI, and 3G-SDI outputs that are simultaneously active. It supports live broadcasting with MJPEG, H.264 / SVC format with latency of less than 120ms. The camera covers wide shooting angles and achieves high-speed, quiet, and precise positioning with smooth PTZ operations.

The VC-A50PN is an applicable solution for lecture recording, videoconferencing, and live broadcasting applications.

Key Features

- Full HD 1080p signal output format with a high frame rate of 60 fps
- 20x optical zoom
- Supports live broadcasting (MJPEG, H.264 supports SVC)
- Supports Power Over Ethernet (PoE)
- Supports NDI technology for NDI-based video production
- Ethernet low latency (< 120 ms)
- Ethernet, HDMI, and 3G-SDI synchronous image outputs
- Maximum horizontal/vertical speed of rotation: 120 degrees/second
- Audio input supports AAC encoding with 44.1/48 K sampling frequency



More Details

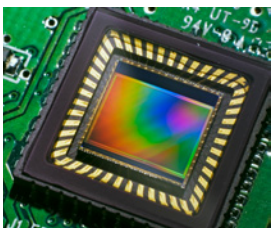


Image Quality

The VC-A50PN is equipped with a professional 1/2.8 inch image sensor with Full HD 1080p output resolution. The sensor provides high color reproduction, high-definition signals, and crystal-clear image quality.



Ethernet Interface

The VC-A50PN supports MJPEG and H.264 / SVC video compression format that can reduce the bandwidth for transmitting video. This technology can decrease hard disk space when recording.

Easy Installation

Powered by PoE+ (Power over Ethernet) allowing a cost-effective and simple installation.



Supports NDI Technology

The VC-A50PN can connect directly to a NDI[®] network, utilizing NDI-based video production workflows without additional configuration, reducing cost and set-up time.



Wide Range Pan/Tilt/Zoom Action

The VC-A50PN has a wide shooting area (pan angle from -170° to +170°; tilt angle from -30° to +90°), as well as quiet, fast, and precise positioning movements.



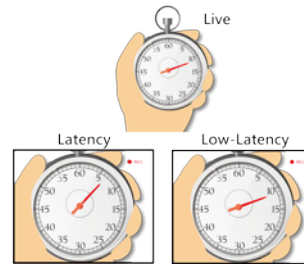
Audio Input Support

The VC-A50PN has a stereo audio input with AAC encoding transmission through the Internet, SDI and HDMI extending the distance of an audio device. This enhances sound quality while reducing installation cost.



Multiple Signal Interface Formats

The VC-A50PN is able to switch video output formats to Full HD for compatibility in various display devices.



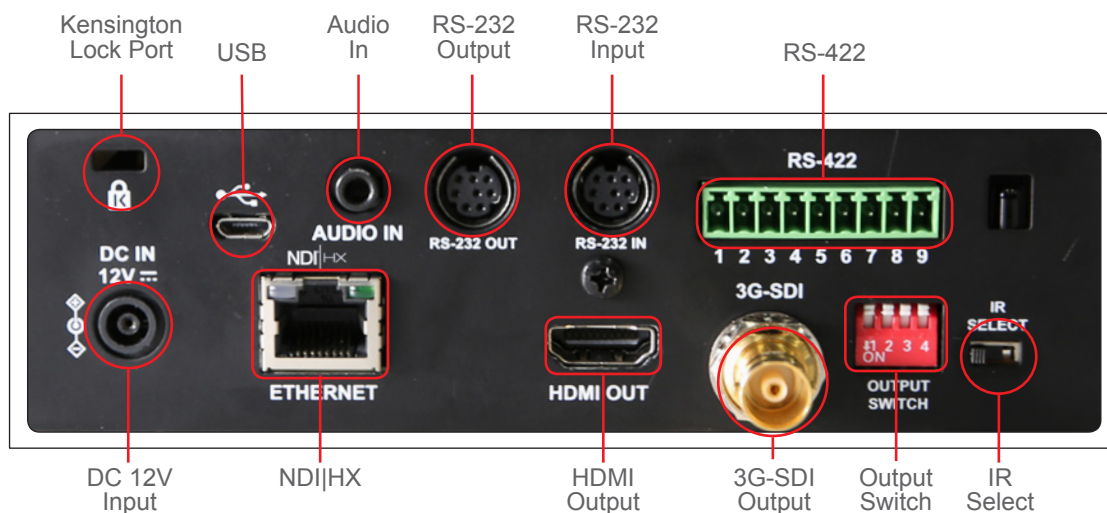
Ethernet Low-Latency

The VC-A50PN supports low-latency and the fast response time is less than 120 ms that allows unnoticeable delays between a live image and its output on the screen.

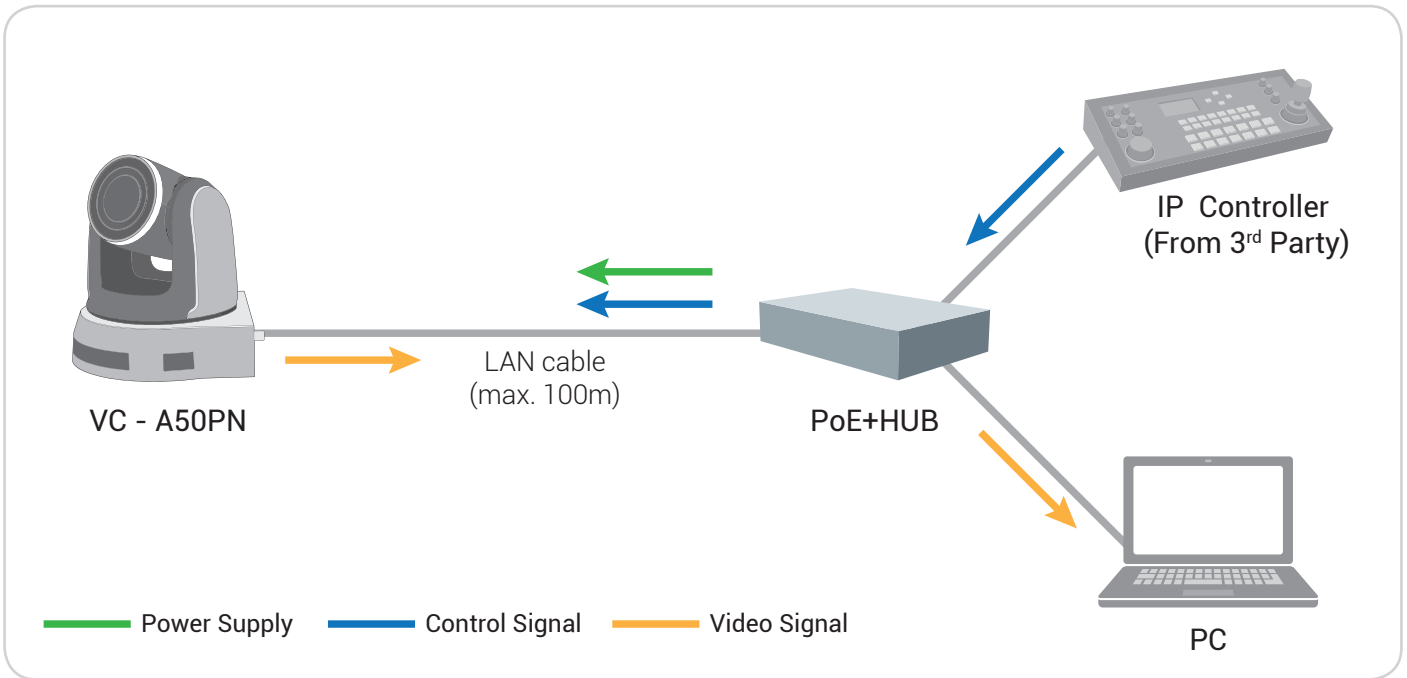
Product Specifications

Sensor	1/2.8" 2MP CMOS	Video Compression	MJPEG, H.264 / SVC
Video Output	1080p 60 / 59.94 / 50 fps, 1080i 60 / 59.94 / 50 fps, 1080p 30 / 29.97 / 25 fps, 720p 60 / 59.94 / 50 fps,	3D NR	Yes
Optical Zoom	20x	Horizontal Viewing Angle	63°
Panning Angle	-170° ~ +170°	Aperture	F1.6 ~ F3.5
Tilting Angle	-30° ~ +90°	Minimum Illumination	1.0 lux (F1.6, 50IRE, 30fps)
Preset Positions	128	Minimum Object Distance	1.2m
Video Output (HD) Interface	3G-SDI, HDMI, Ethernet	Gain Control	Auto, manual
Video Stream	RTSP / RTMP / NDI	White Balance	Auto, indoor, outdoor, one-push, manual
PoE	PoE+ (IEEE802.3at)	Exposure Control	Auto, manual
Camera Control Interface	RS-232 / RS-422 / Ethernet	Focus System	Auto, manual
Camera Control Protocol	VISCA / PELCO D / NDI	Image Flip	Yes
Video S/N Ratio	> 50dB	Audio Input	Line In / MIC In
Shutter Speed	1/1 ~ 1/10,000 sec	Audio Output	Ethernet, SDI and HDMI
Focal Length	f = 4.7 ~ 94 mm	Weight	2 kg (4.4 lbs)
		Dimensions (W x D x H)	174 x 186 x 187mm (6.9" x 7.3" x 7.3")

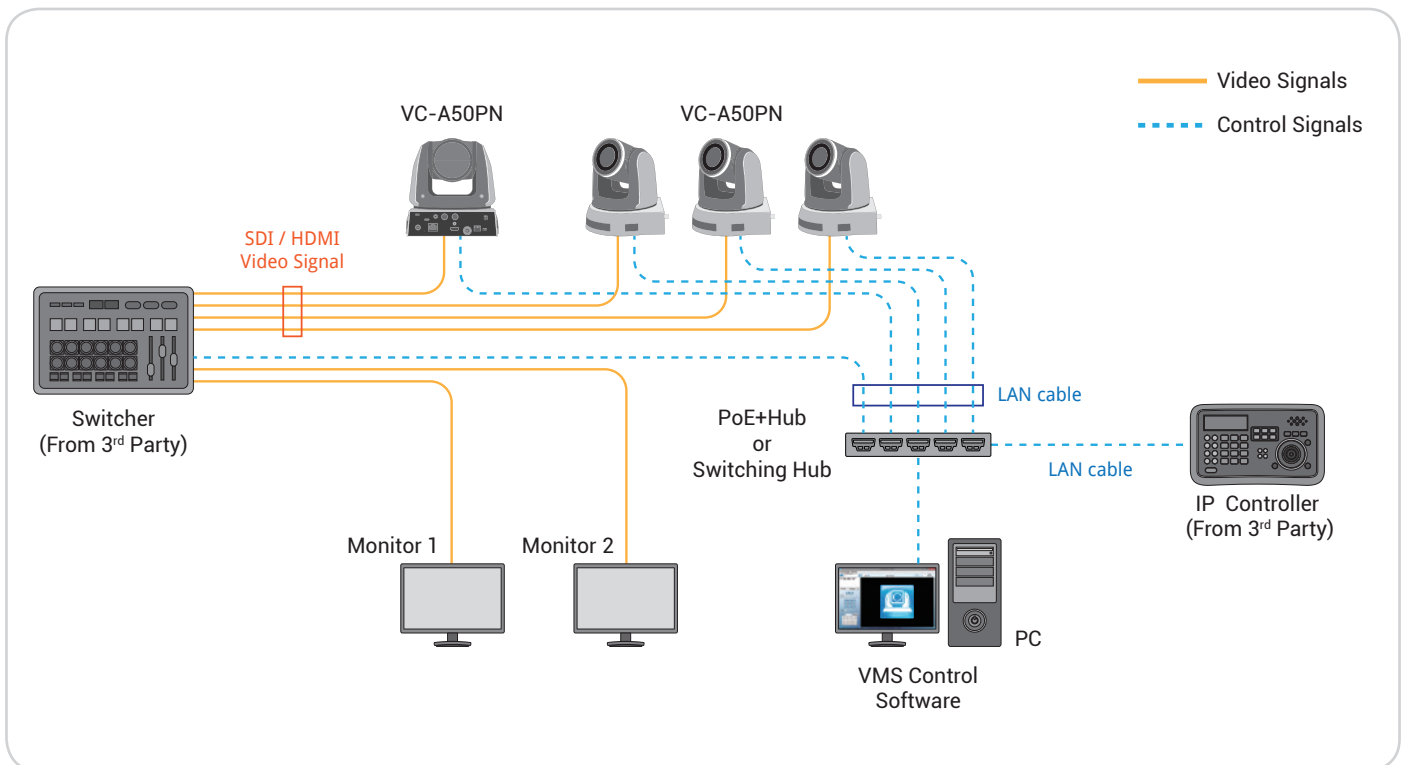
I/O CONNECTIONS



Single Camera Connection



Multi-Camera Connection



NDI® is a registered trademark of NewTek, Inc.