

# VC-A50S High Definition Video Camera

**Lumens**<sup>™</sup>  
Brilliance by Design

The Lumens™ VC-A50S HD Pan/Tilt/Zoom (PTZ) camera is equipped with a professional 1/2.8 inch image sensor with Full HD 1080p output resolution and a high dynamic image quality of 60 frames per second. The superior 20x optical zoom lens with professional noise reduction and wide dynamic range technology delivers a clear image even in low light, backlight or the extreme contrast of brightness and darkness in a room.

The camera utilizes a highly efficient DC motor servo controller to achieve high-speed, quiet and precise positioning movements. The VC-A50S supports 3G-SDI, DVI, component, and C-Video interfaces allowing four simultaneous image outputs with the best possible image quality and is compatible with all video equipment. VC-A50S is applicable for lecture capture, videoconferencing and broadcasting systems.

## Key Features

- Dual color option for different kinds of settings
- With professional noise reduction technology a clear image is delivered
- Supports Wide Dynamic Range (WDR) to provide a vivid image even under backlighting
- Full HD 1080p with 60 frames per second
- Supports manual white balance function for a complex lighting environment
- 240 times variable zoom ratio (20x optical zoom with 12x digital zoom)
- 3G-SDI, DVI, Component, C-Video image output synchronously
- Maximum horizontal/vertical speed of rotation: 300° / sec
- Wide Pan/Tilt/Zoom mechanism:  
Horizontal viewing angle: -170° to +170°  
Tilting angle up to 90°, and down to -30°
- Compatible with major videoconferencing and lecture capture codec



## More Details



### Image Quality

Equipped with a professional 1/2.8 inch image sensor with Full HD 1080p output resolution providing high color reproduction, high definition, and a crystal-clear image.



### Advanced Image Processing

The advanced AF/AE/AWB algorithm and circuit design ensures a pristine image during the pan, tilt, zoom & capture function.



### Wide Range Pan/Tilt/Zoom Action

The high efficient DC motor, servo control a wide shooting area (pan angle: from -170° to +170° ; tilt angle from -30° to +90°), as well as quiet, fast, and precise positioning movements.



### Multiple Signal Formats

VC-A50S is able to switch video output formats from NTSC/PAL, SD, to Full HD for compatibility in various display devices.



## 3G-SDI Interface

Supports 3G-SDI standard interface for transmitting uncompressed digital video signal without any delay, and the transmission distance is up to 150 meters.



## 128 Preset Positions

Up to 128 preset settings for pan, tilt, zoom, focus, exposure and white balance modes make video conferencing effective and efficient.



## RS-232/422 Remote Control

Camera settings and PTZ control functions to be performed remotely at any location and at high communication speeds via the RS-232/422 interface.



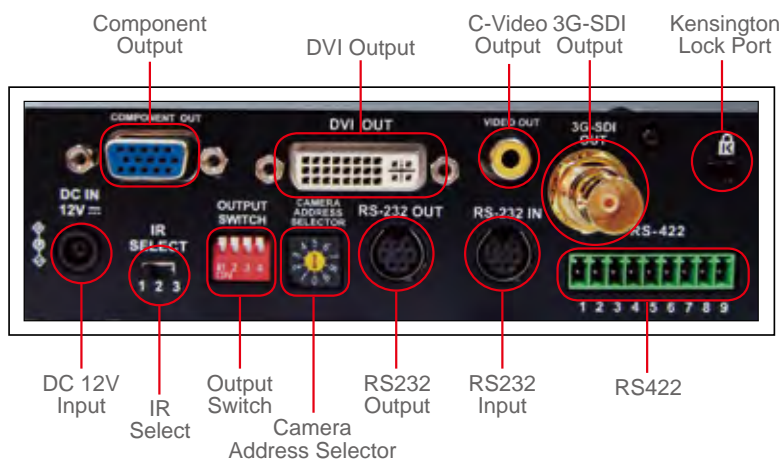
## Image Flip

Built-in image flip and mirror function allows various installations on a desktop or wall mount depending on the users preference.

## Product Specifications

<b>Sensor</b>	1/2.8" 2 MP CMOS	<b>Shutter Speed</b>	1/1 ~ 1/10,000 sec
<b>Video Output</b>	1080i 59.94fps 1080p 60 / 59.94 / 50 / 30 / 29.97 fps, 1080i 50 / 60 fps, 720p 60 / 59.94 / 50 fps, 720p 30 / 25 fps, NTSC / PAL	<b>Focal Length</b>	f = 4.7 ~ 94 mm
<b>Optical Zoom</b>	20x	<b>Horizontal Viewing Angle</b>	63°
<b>Panning Angle</b>	-170° ~ +170°	<b>Aperture</b>	F1.6 ~ 3.5
<b>Tilting Angle</b>	-30° ~ +90°	<b>Minimum Illumination</b>	0.4 lux (F1.6, 50 IRE, 30fps)
<b>Preset Positions</b>	128	<b>Minimum Object Distance</b>	300(Wide) ~ 1500(Tele) mm
<b>Video Output(HD) Interface</b>	Component, DVI, 3G-SDI	<b>Digital Zoom</b>	12x
<b>Video Output(SD) Interface</b>	CVBS (C-Video)	<b>Gain Control</b>	Auto, manual
<b>Camera Control Interface/Protocol</b>	RS-232 / RS-422	<b>White Balance</b>	Auto, indoor, outdoor, one-push, manual R/B Gain
<b>Video S/N Ratio</b>	> 50dB	<b>Exposure Control</b>	Auto, manual
		<b>Focus System</b>	Auto, manual
		<b>Image Flip</b>	Yes
		<b>Weight</b>	2.0 kg (4.4 lbs)
		<b>Dimensions(W x D x H)</b>	Black 174 x 186 x 182.7 mm (6.9" x 7.3" x 7.2") White 174 x 186 x 185.7 mm (6.9" x 7.3" x 7.3")

## I/O CONNECTIONS



## Accessory

The VC-AC06/AC07 cable extender allows users to extend the distance between the computer / keyboard controller and cameras up to 300 ft (100 meters) via the RJ45 CAT5/6 cable. The VC-AC07 also supports the daisy-chain style to link up to seven cameras.



VC-AC06



VC-AC07

**Lumens**<sup>TM</sup>  
Brilliance by Design  
www.MyLumens.com

Lumens Integration, Inc.  
4116 Clipper Court  
Fremont, CA 94538  
Phone : 888.542.3235  
Fax : 510.252.1389

Lumens Europe  
Stationstraat 5  
1730 Asse, Belgium  
Phone : +32 (0) 2 452 76 00  
Fax : +32 (0) 2 452 76 00